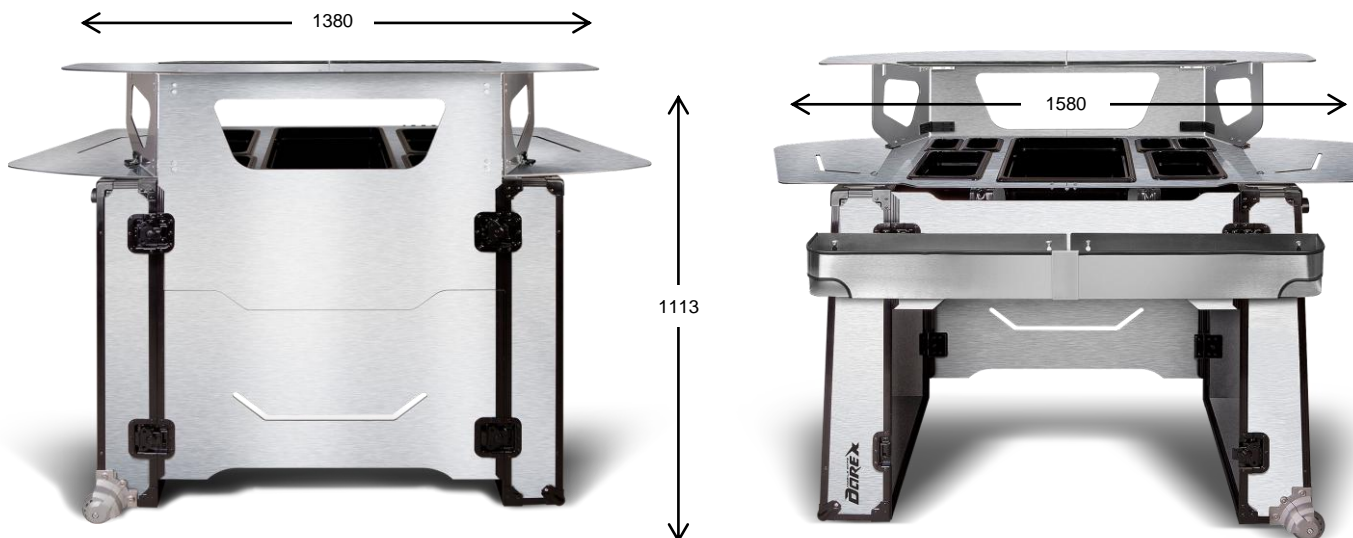


PORTABLE BAR BAREX / EXTERNAL DIMENSIONS

ALL DIMENSIONS IN MM



COLORS

WHITE,BLACK,INOX

WEIGHT

34 KG (75 LBS)

PATTERNS:

WOOD

INCLUDED:

1 X GN 1/1 (ICE BIN-GN)
2 X GN1/3 (JUICE HOLDER)

4 X GN 1/9 FRUIT TRAY

1X SL STAINLESS STEEL
SPEEDRACK (13 0,750 ML
BOTTLES CPU)

1 X BAR MAT

ALL BINS MADE BY DURABLE BLACK
POLYCARBONATE PLASTIC

MATERIALS

FRAME: STAINLESS STEEL 18/10 (BLACK COATED)
ALL STAINLESS STEEL BOLTS,NUTS ,HINGES AND RIVETS

CASE: INNER LAYER: FLEXIBLE THERMOPLASTIC

POLYBGGFF RETHANE

SHEET: DOUBLE THICK ANDORIZED ALUMINIUM

GROUND SHEET:

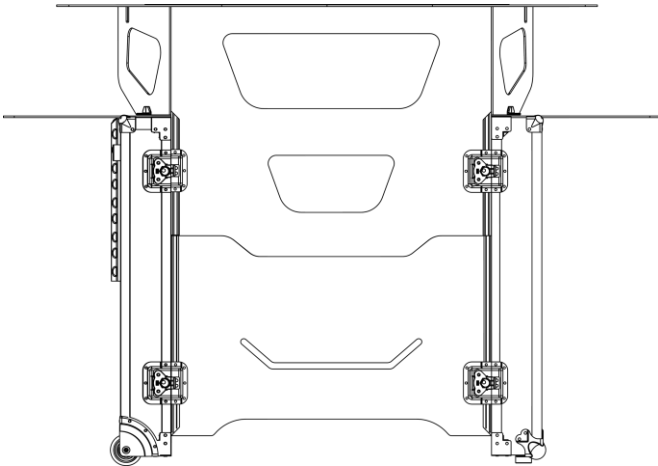
SPECIALS:

WARRANTY: 10 YEARS

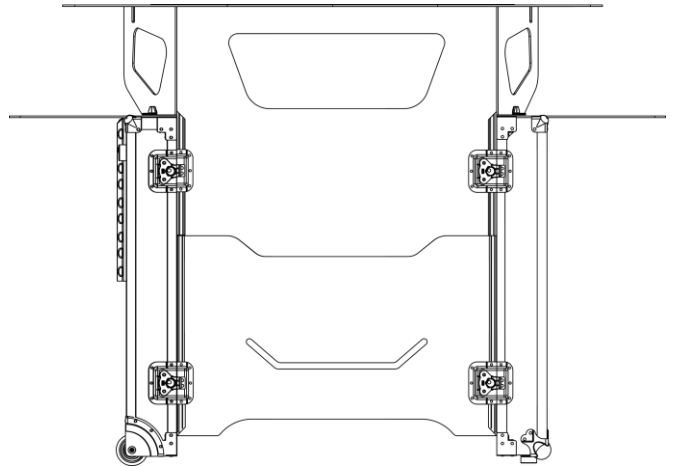
EACH PORTABLE BAR COMES WITH 10 YEARS UNLIMITED WARRANTY.

FRONT PANEL LAYOUTS / CHOOSE FROM 4 DIFERENT FRONT PANEL LAYOUTS

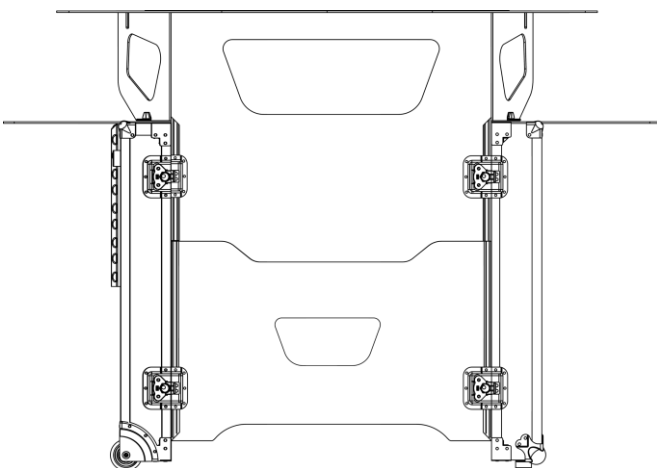
BRX-1C



BRX-3C



BRX-4C



BRX-5C

